



**CHESTERTON**

Global Solutions, Local Service.

# PULSARLUBE M



Lubricate with Confidence™

# CHESTERTON/PULSARLUBE M

The most advanced automatic single-point lubricator

Pulsarlube-M, single-point automatic grease dispenser is designed to ensure reliable lubrication and cut lubrication cost by an advanced electronic control mechanism.

It consists of a vertical feed pump, motor/gear set, and Microprocessor control system, which makes outstanding operating pressure available up to 20Kgf/cm<sup>2</sup> (280psi). The lubricant is ordered separately in a service pack. This contains a grease filled 250cc Pulsarlube pouch, which are replaceable when empty along with a Pulsarlube battery pack. Pulsarlube-M offers 6 optional dispensing rates from 1/2 to 12months in a single unit.



## Concept

Carefully engineered product for environment, equipment and user.

## Feature

### Environmentally Friendly...

Replaceable 250cc Grease pouch  
Customized Power Pack (DC 4.5V)  
Easy Disposal

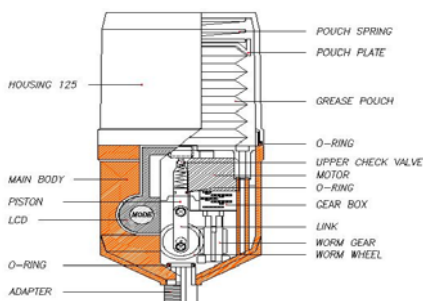
### User Friendly...

Compact & Convenient Design  
Simple Operation  
Easy to read Large LCD  
Precise Lubrication - Easy Maintenance  
High Operating pressure  
Break-free from vibration  
Cost competitive by multi use up to 8 points

### Equipment Friendly...

Precise and Reliable Lubrication  
High operating pressure up to 20kg-f (280psi)  
Weight balanced Design  
Break-free 3/8" steel fitting  
Operating temp from -15 to 60 °C (5°F~140°F)  
Long-term reliability  
Appropriate Grease capacity

## Cross Section View of PULSARLUBE M



## Replaceable Service Pack



Pulsarlube M is designed to last through many years of use. Over the years this can add up to substantial savings over the cost of manual lubrication and disposable, one time use lubricators, while providing assurance of the highest quality of lubrication achievable. The service pack consists a filled Chesterton grease pouch (250cc), a battery pack (D.C 4.5V), and a disposable dust cover.

**Note:** The Pulsarlube M grease pouch and battery pack must always be changed at the same time to ensure the reliable operation of your unit.

## Easy to control



## Buttons

1. Mode Button: Select Dispensing Period.  
Six different dispensing rates are available (1M, 2M, 3M, 6M, 12M and Half Month)
2. Power Button: Depress the button for 2 seconds to turn unit on and off. The default dispensing period setting is 1 month @ 125cc.
3. Select Volume / Test button: Select Grease Volume (125cc or 250cc)  
Select the volume of Grease pouch to be used. This button is also used for the TEST MODE.

## Multi-point lubricator

Pulsarlube M can be used for the automatic lubrication of up to 8 points using progressive divider block.

System Element:

1. Unit
2. Divider Block
3. Bracket
4. Tubing
5. Fittings



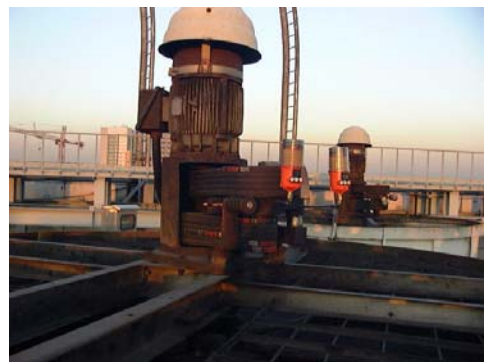
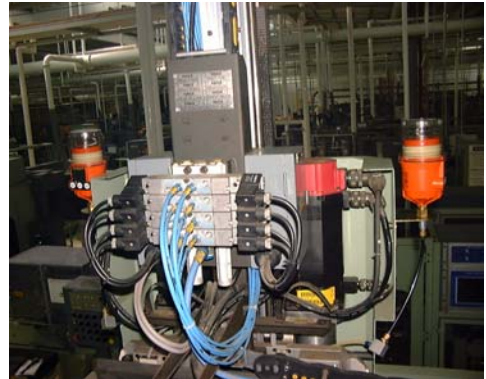
### General Guidelines:

1. Keep in close proximity to bearings
2. All elements should be filled with grease
3. NLGI #00-2 recommended

### Remote Installation

CHESTERTON/PULSARLUBE-M was developed and designed to be able to install remotely to avoid dangerous, hazardous or not easy accessible areas for lubrication.

## Application



### PIPE & TUBE MAX. LENGTHS (Based upon Room Temperature, 250 cc Model)

Base Oil Viscosity Or NLGI #00-2	Remote Installation Pipe or Tubing Dia.		Remote Installation with Divider Block Piping or Tubing Dia.	
	1/4" OD	5/16" OD (8mm) Recommend	1/4" OD	5/16" OD (8mm) Recommend
NLGI #0 under -20F	16ft (5m)	36ft (11m)	10ft (3m)	30ft (9m)
<b>NLGI # 1</b>	<b>10ft (3m)</b>	<b>23ft (7m)</b>	<b>7ft (2m)</b>	<b>17ft (5m)</b>
<b>NLGI #2</b>	7ft (2m)	17ft (5m)	3ft (1m)	10ft (3m)